

Ultra-low-profile Connector (SMT Terminal) Side-entry Non-ZIF Type

XF2E

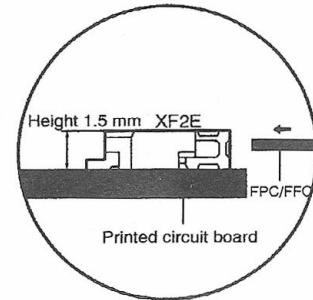
Optimum low-profile design.
Ultra-low-profile FPC/FFC connector only
1.5 mm above the PCB.

- Ultra-low-profile only 1.5 mm on the PCB allows mounting in spaces with restricted height.
- 0.8 mm-pitch SMT connectors allow high-density mounting.
- Modified-PA-resin housing is compatible with VPS, IR reflow, etc.
- Double-sided contacts maintain a stable contact force.
- Standard tape packing compatible with automatic mounting.

Specifications

Rated current	0.5A
Rated voltage	50 VDC
Contact resistance	30 mΩ max. (max. 20 mV, max. 100 mA)
Insulation resistance	100 MΩ min. (at 100 VDC)
Withstand voltage	500 VAC 1 min. (leakage current: 1 mA max.)
Total insertion force	Poles x 2.0 N (200 gf) max.
Total removal force	Poles x 0.3 N (200 gf) max.
Insertion tolerance	10 times
Ambient temperature	-30 to +85°C (No condensation at low temperatures.)

Mounted Image

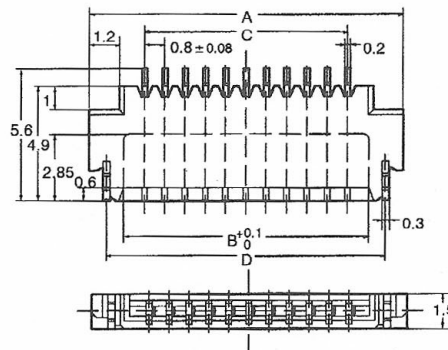
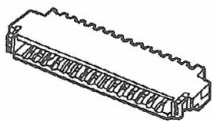


Materials/Finish

Housing	Modified PA resin containing glass (UL94V-0)/opal
Contact	Copper-alloy/nickel spring substrate (2μm) plated with tin alloy (2μm)
Hold-down	Copper-alloy/Copper substrate (2μm) plated with tin alloy (2μm)

Dimensions

XF2E-□□15-1 (SMT Terminal)



Applicable FPC Dimensions

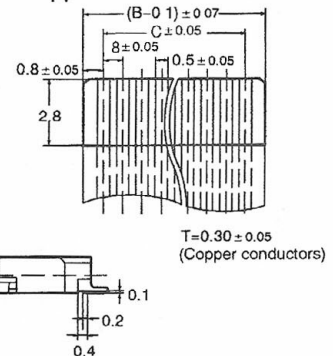
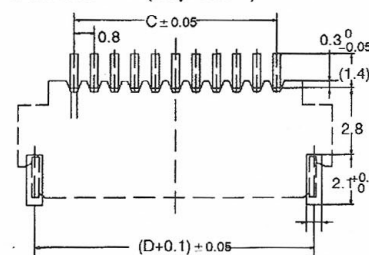


Table of Dimensions

Pole	Model	A	B	C	D
5	XF2E-0515-1	7.6	4.9	3.2	6.2
6	XF2E-0615-1	8.4	5.7	4.0	7.0
7	XF2E-0715-1	9.2	6.5	4.8	7.8
8	XF2E-0815-1	10.0	7.3	5.6	8.6
10	XF2E-1015-1	11.6	8.9	7.2	10.2
12	XF2E-1215-1	13.2	10.5	8.8	11.8
15	XF2E-1515-1	15.6	12.9	11.2	14.2
17	XF2E-1715-1	17.2	14.5	12.8	15.8

Printed Circuit Board Matching Dimensions (Top View)



Ordering Information

Poles	Model	Poles	Model	Quantity per reel*
5	XF2E-0515-1	10	XF2E-1015-1	4,000
6	XF2E-0615-1	12	XF2E-1215-1	
7	XF2E-0715-1	15	XF2E-1515-1	
8	XF2E-0815-1	17	XF2E-1715-1	

*Order an integer multiple of the quantity per reel.