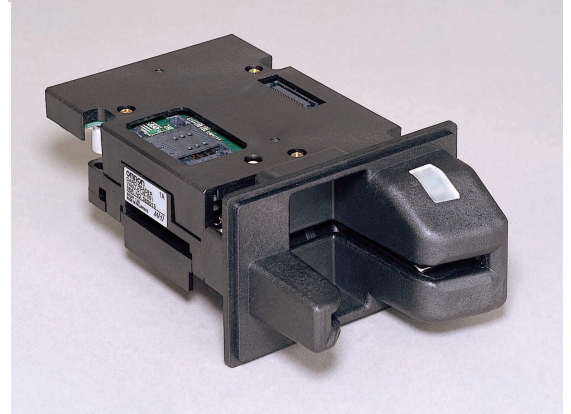


## Manual Reader for Magnetic and IC Cards

- Long life and high reliability with ceramic block magnetic head and low friction IC contact.
- Anti-fraud and vandalism with mechanical shutter, lock function, and security features
- Higher readability of magnetic card by wider grasp area and advanced software decoding algorithm
- EMV4.0 approved.
- Selectable bezel (round or flat) with tricolor status LED.
- Higher Security on host transmission data encrypted with DES/RSA.
- RS232 or USB Interface version available.



## Ordering Information

| Track 1 | Track 2 | Track 3 | JIS II | IC Card | Memory Card | Shutter    | Interface | Front Insertion Guide | SAM | Part Number   |
|---------|---------|---------|--------|---------|-------------|------------|-----------|-----------------------|-----|---------------|
| R       | R       | R       | -      | Yes     | Yes         | Mechanical | RS232     | Round Bezel           | 1   | V4KF-01JS-001 |
| R       | R       | R       | -      | Yes     | Yes         | Mechanical | RS232     | Flat Bezel            | 1   | V4KF-01JF-001 |
| R       | R       | R       | -      | Yes     | Yes         | Mechanical | USB       | Round Bezel           | 1   | V4KU-01JS-001 |
| R       | R       | R       | -      | Yes     | Yes         | Mechanical | USB       | Flat Bezel            | 1   | V4KU-01JF-001 |

## Specification

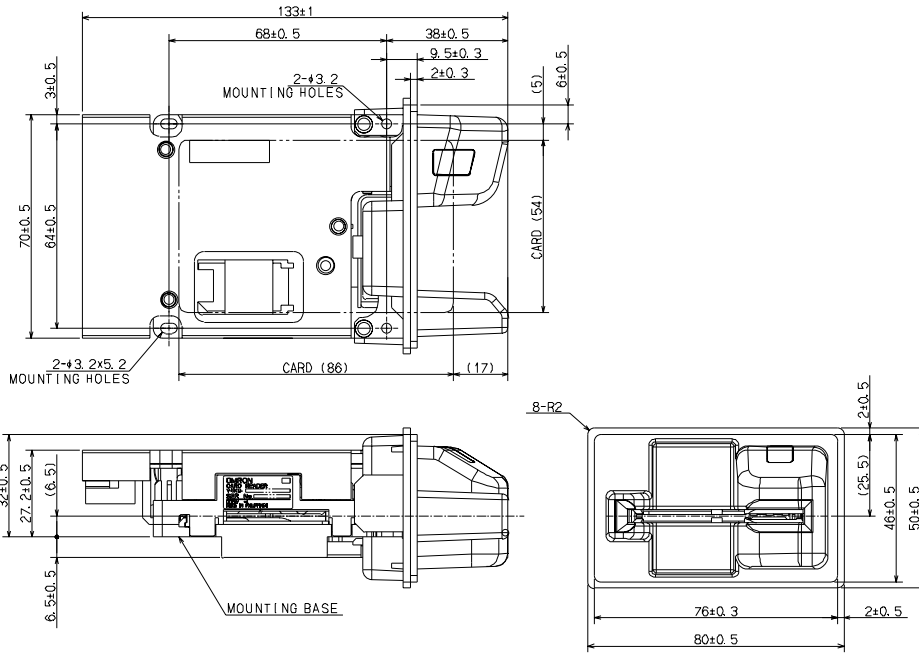
| Part Number                   |                  | V4KF  | V4KU                                      |
|-------------------------------|------------------|---|---|
| Recommended card type         | Magnetic and ICC | ISO 7810, 7811/1, 2, 6, EMV-compatible, Vcc 3 or 5V, SLE4418/28/32/42 |   |
| Card feeding speed            |                  | 100 – 1000 mm/sec.,   |   |
| Card feeding direction        |                  | Bi-Directional  |   |
| Service life of magnetic head |                  | 1,000,000 Passes or Five Years  |   |
| Service life of ICC contacts  |                  | 300,000 Passes or Five Years  |   |
| LED                           |                  | Tri-Colour LED (Red, Green and Orange).                               |   |
| Operating power supply        |                  | +12V DC Maximum 1.5 A   | +24V DC Maximum 1.0 A                     |
| SAM                           |                  | 1 SAM (Secure Application Module) standard with up to five optional   |   |
| Power supply connector *1     |                  | HIROSE HIF3BD-10PA-254DS02 / 10 Pin / Pitch of 2.54mm                 | Molex 5046-04A / 4 Pin / Pitch of 2.54mm  |
| Interface *1                  |                  | RS232   | USB 2.0 HID Class at Full Speed of 12Mbps |
| Mounting location             |                  | Indoors - Away from direct sunlight or wet, humid environment         |   |
| Ambient temperature           | Operation        | 5° to 50° C   |   |
|                               | Storage          | - 25° to 70° C  |   |
| Ambient humidity              | Operation        | 5% to 85% RH  |   |
|                               | Storage          | 5% to 90% RH  |   |
| Vibration                     |                  | 10 to 150 Hz, single vibration width of 0.15 mm                       |   |
| Shock                         |                  | 150 m/sec <sup>2</sup> , three times in six directions                |   |
| Dimensions                    | Round Bezel Type | 80 W x 50 H x 147 D mm  | 80 W x 50 H x 133 D mm                    |
|                               | Flat Bezel Type  | 101.6 W x 76.2 H x 147 D mm   | 101.6 W x 76.2 H x 133 D mm               |
| Weight                        |                  | Less than 250g  |   |

\*1 Type of V4KF has only one connector for Power and Interface signal.

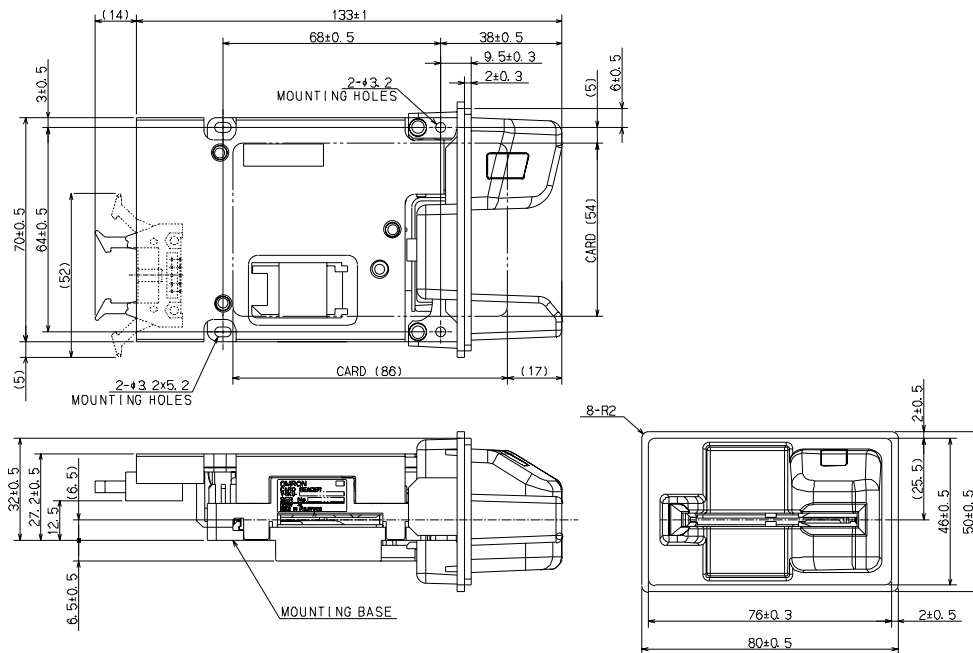
■ Round Bezel Type : V4KU-01JS-001 / V4KF-01JS-001

Unit : mm

V4KU-01JS-001



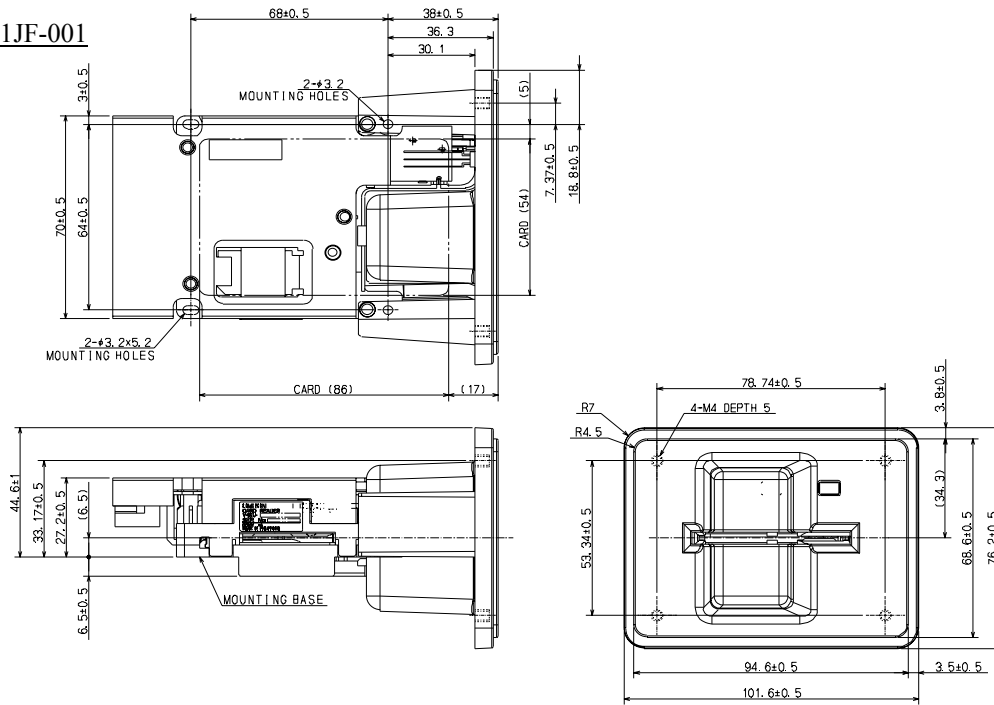
V4KF-01JS-001



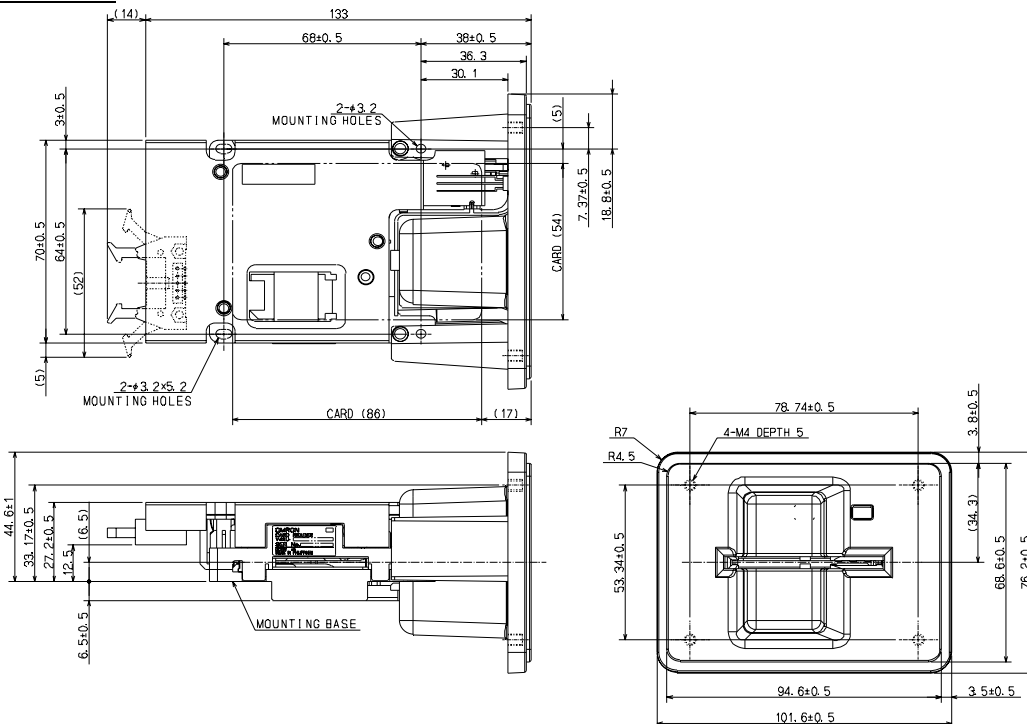
■ Flat Bezel Type : V4KU-01JF-001 / V4KF-01JF-001

Unit : mm

V4KU-01JF-001



V4KF-01JF-001



Advanced Modules Business Company  
International Module Sales  
Sales & Marketing Division

© OMRON Corporation 2004

3-4-10, Toranomon, Minato-ku, Tokyo, 105-0001 JAPAN  
TEL : +81-3-3436-7074 FAX : +81-3-3436-7054

URL: <http://www.omron.com/card/cardreader>

Contact our nearest representative at